

Antenne, Whip Hinge

ERF4018

Description

The ERF4018 antenna is an external 2,4 GHz antenna with a U.fl connector. The antenna can also be used in the frequency band of 2400 ~ 2480 MHz. The antenna can be used for applications such as, M2M, WiFi, BLE and Zigbee.

Technology

- M2M
- WiFi
- BLE
- Zigbee



Features

Electrical Properties	Description		
Frequency marker	Frequency band MHz	Return loss dB	V.S.W.R.
1	2.400	-21.5	< 1.2
2	5.000	-15.7	< 1.4
3	5.800	-3.4	< 5.2
Nominal Impedance	50 Ω		
Polarization	Linear, Vertical		

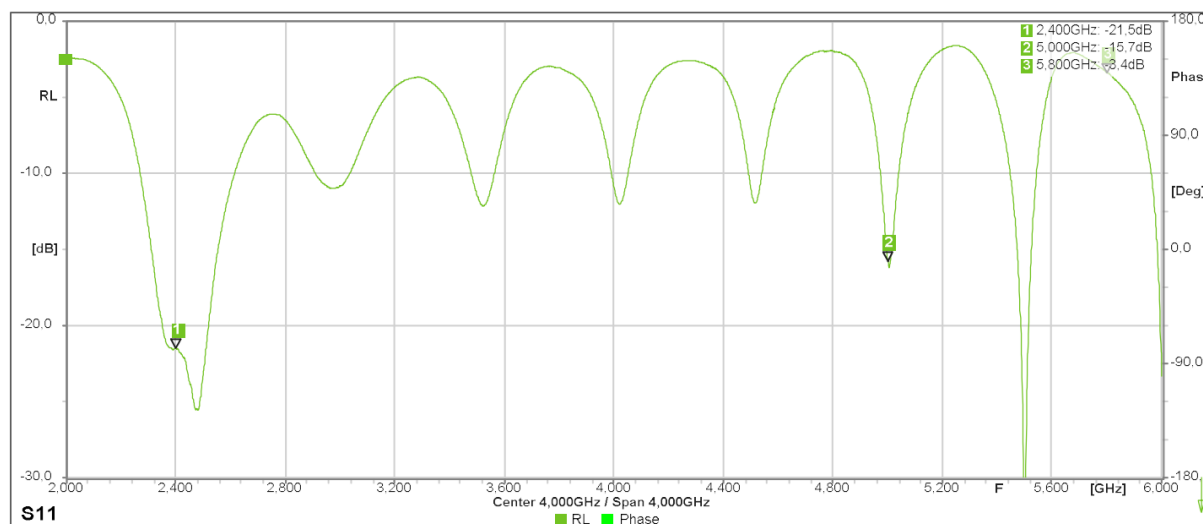
Antenne, Whip Hinge

ERF4018

Mechanical Properties	Description
Antenna	External Antenna
Mounting	Terminal screw connector
Connector	U.fl
Dimensions	104 mm ± 2
Cable Length	130 mm ± 5
Antenna	Black
Operating Temperature	-30°C~+70°C
Storage Temperature	-30°C~+70°C

Antenna Properties

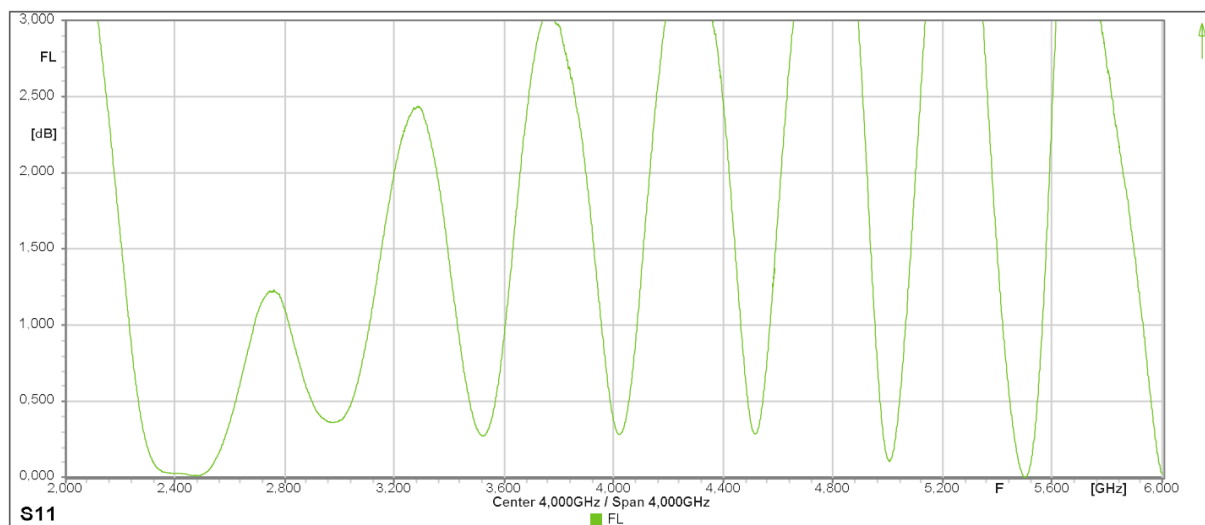
Return Loss



Antenne, Whip Hinge

ERF4018

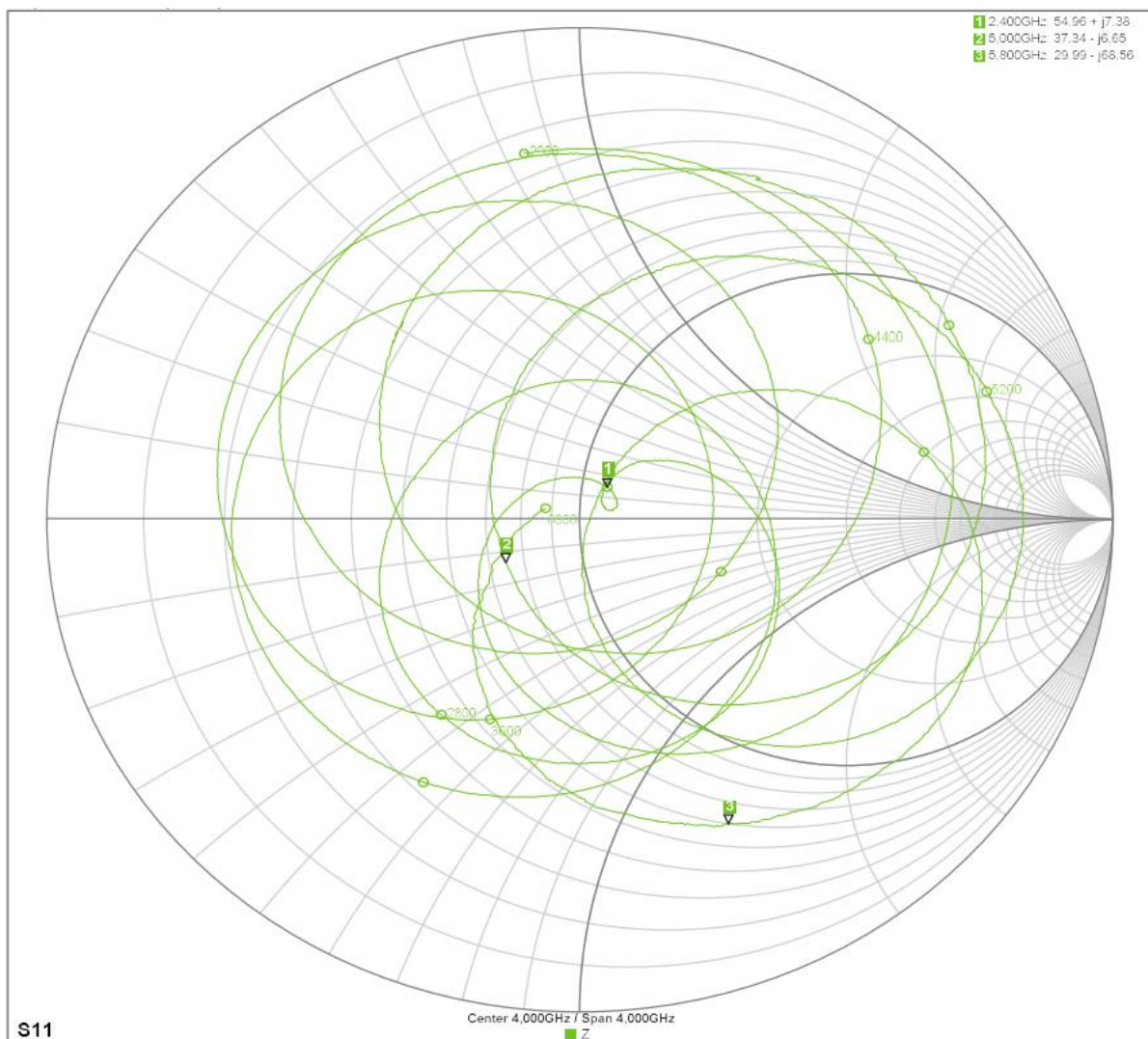
Forward Loss



Antenne, Whip Hinge

ERF4018

Impedance

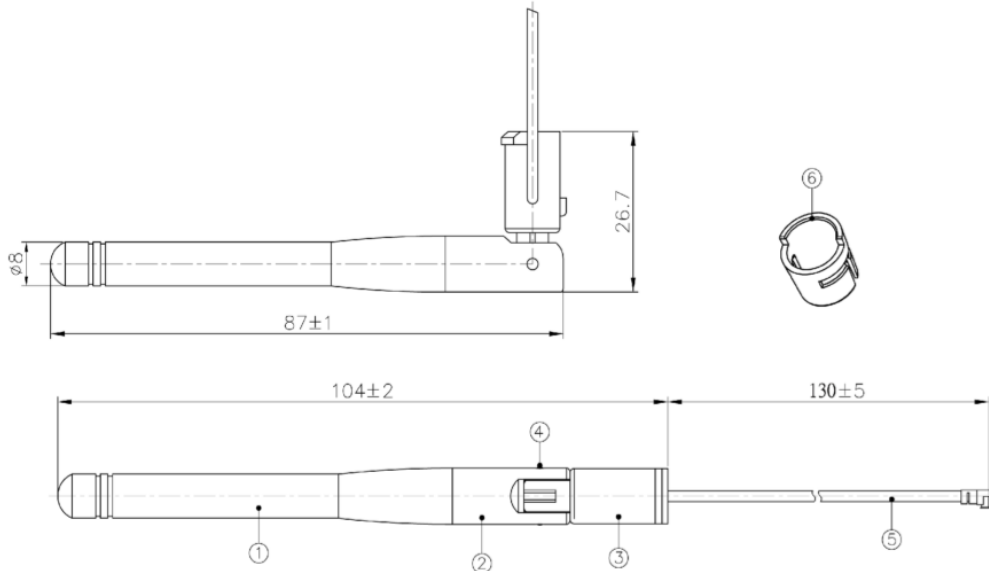


Antenne, Whip Hinge

ERF4018

Dimensions

*Unit: mm



Ordering information

Ordering can be done via www.summit-electronics.com or via info@summit-electronics.com. Please contact us for more information. Customisation of the product is available on request.

Technical support

For all product questions please contact us via info@summit-electronics.com

Document revision

Rev	Date	changes
V01.00	06-04-2023	First issue of document